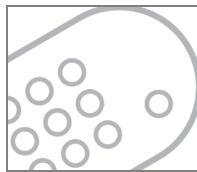


Cable Television

Welcome Guide

Fall / Winter 2015 - 2016



Prepared for **Suffolk University**
Students



Dear Suffolk University Student,

Congratulations and welcome to your new residence. This room has been preconfigured to deliver Cable Television service.

This guide will help you to navigate the suite of services available.

We are happy to be the provider of choice at your residence and are pleased to serve you.

Have a great year!

The RCN Team



Table of Contents

This guide will show you how to make the most of your Cable TV experience while a resident in this facility.

I. Section One – Getting Started

- 3 What is a Converter Box?
- 4-6 How do I Connect the Converter to my TV?

II. Section Two – Using Your Remote

- 7 Using Your Remote Control

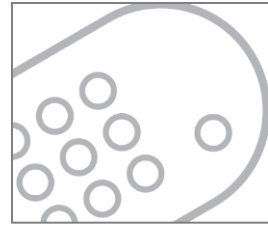
III. Section Three - Cable TV Service Overview

- 8 What's Included
- 8 Navigating the On-Screen Guide
- 8 What do I do with my Cable Converter Box When it's time to Move out?
- 9 Channel Lineup

IV. Residence Care and Support

- 10 Contact Us

I. Cable TV Service: Getting Started

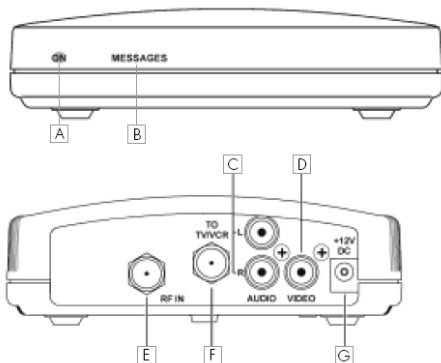


Cable TV Service is available in your room. All you have to do is connect your Television to the Cable TV Converter box.

What is a Converter Box?

Today's televisions are designed to let you receive a wide array of cable TV channels, but they can't descramble the signals sent by digital cable networks, premium channels, or Pay-Per-View. Your converter box serves as the descrambler and/or channel selector, making TV sets cable-ready. They enable TVs to recognize cable input and expand channel capacity. Converter boxes allow cable subscribers to view services such as movie channels or Pay-Per-View.

Your room is equipped with a DCT-700 Digital Cable TV Converter Box (see below). This converter is your gateway to view the channels delivered to your room and to experience Dolby® sound.

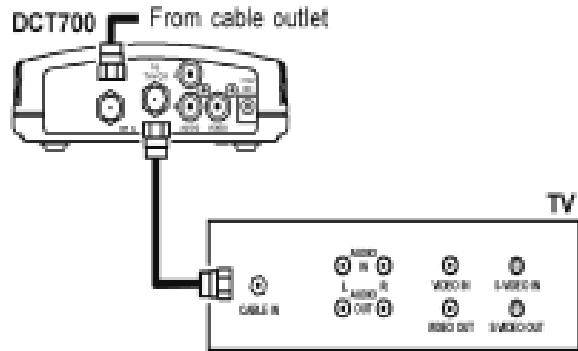


- A: lights when power is on.
- B: light will display when RCN is sending a message to you via your Cable Box.
- C: Audio Output.
- D: Video Output.
- E: RF in.
- F: Out to TV / VCR.
- G: Power Connection

How do I connect my TV to the Cable Converter Box?

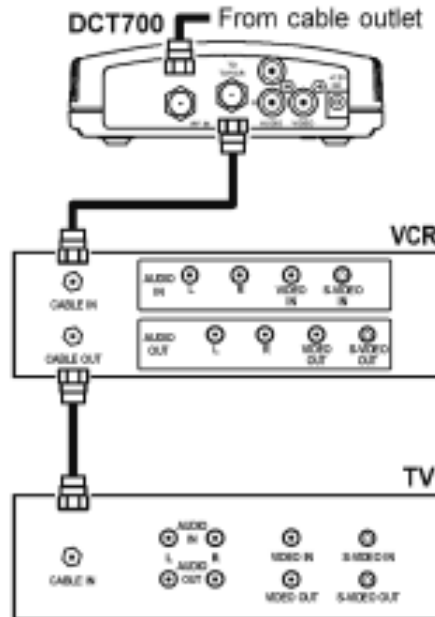
Standard TV Cabling

Use 75-ohm coaxial cables to connect your DCT-700 to your TV.



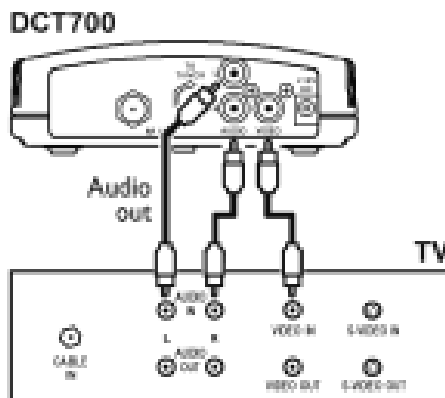
Standard VCR Cabling

Use 75-ohm coaxial cables to connect your DCT-700 to your VCR.



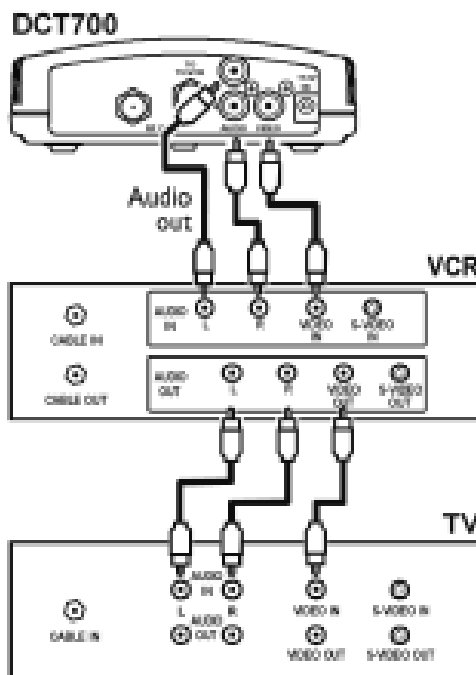
Composite Baseband Cabling

Connect your DCT-700 to your TV using your RCA-type baseband outputs to experience stereo and Dolby® Sound when available.



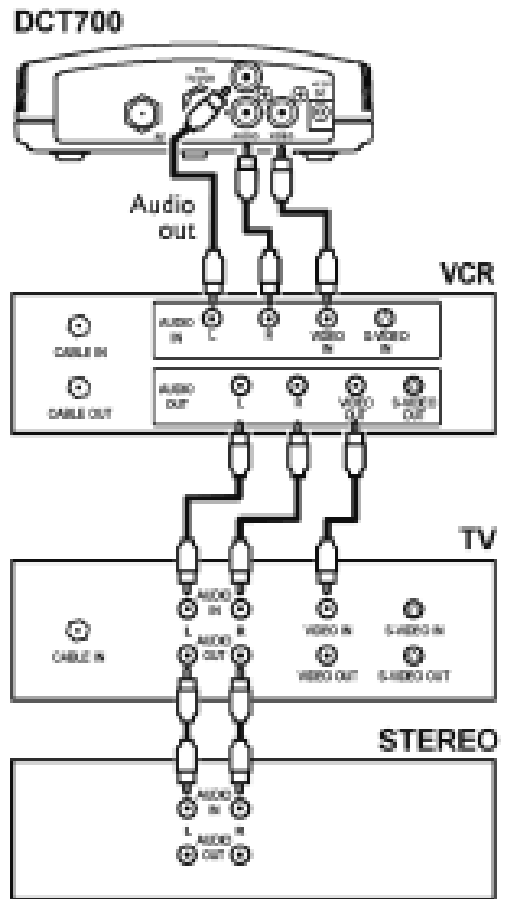
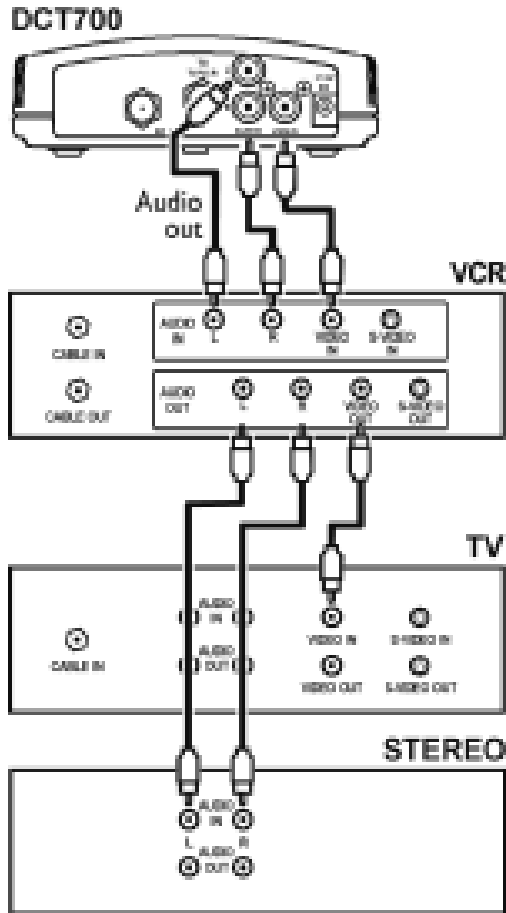
Composite VCR Cabling

Connect your DCT-700 to your VCR using the audio connectors on the VCR.



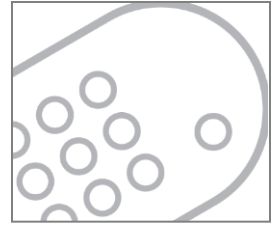
Stereo Cabling (VCR to Stereo)

Connect your DCT-700 to your Stereo using the audio connectors on the VCR.

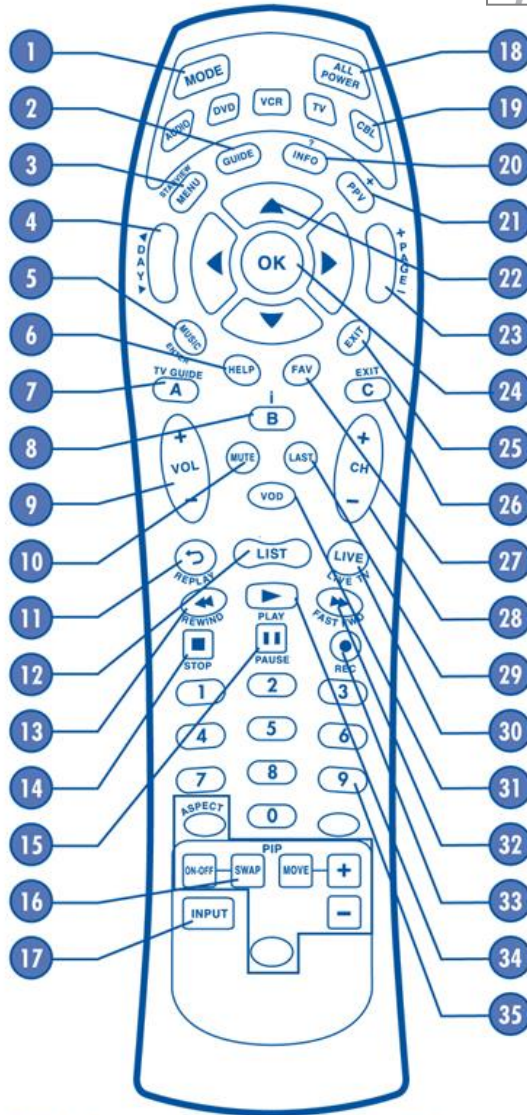


II. Using Your Remote Control:

Using your Remote Control

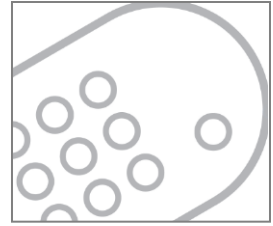


- 1 Mode:** Illuminates/Select electronic device being operated. Press Mode then: CBL- for cable mode TV- for TV mode VCR- for VCR mode DVD- for DVD mode AUDIO- for audio mode
- 2 Guide:** Access Electronic Program Guide
- 3 Menu:** Access any On-Screen Display for currently selected device
- 4 Day:** View previous/next day's cable guide
- 5 Music (Red):** Access Digital Music Channels
- 6 Help (Green):** Display Help screen
- 7 A:** Controls Interactive Guide functions
- 8 B (i):** Controls Interactive Guide functions
- 9 Volume:** Increase/decrease
- 10 Mute:** Mutes volume
- 11 Replay:** Not Available
- 12 List:** Not Available
- 13 Rewind:** Rewinds VCR, DVD
- 14 Stop:** Stops VCR, DVD
- 15 Pause:** Pauses VCR, DVD
- 16 Swap Button:** Used with Motorola DCT6412 converter box (remaining buttons for future use for all other converter boxes)
- 17 Input:** Select video source
- 18 All:** CBL + TV on/off
- 19 Audio, DVD, VCR, TV, CBL:** Individual device on/off
- 20 Info (?):** Display channel/program information
- 21 PPV (+):** Direct access to PPV programming where available
- 22 ▲, ▼, ◀, ▶:** Move through on-screen display of Cable guide menu
- 23 Page +/-:** Move up/down through menu screens, or Electronic Program Guide
- 24 OK:** Select currently highlighted on-screen-display or Cable guide menu



- 25 Exit:** Exit any on-screen display & return to regular viewing
- 26 C (Exit):** Controls Interactive Guide functions
- 27 Fav (Blue):** Jumps along preselected favorite channels
- 28 Ch +/-:** Select next/previous channel
- 29 Last:** Return to last selected channel
- 30 Live TV:** Displays live TV programming
- 31 VOD:** Not Available
- 32 Fast Fwd:** Fast forward VCR, DVD
- 33 Rec:** Record to VCR
- 34 Play:** Play VCR, DVD
- 35 0-9:** Enter channel number

III. Cable TV Service Overview



What's included?

You have access to RCN's 100% Digital Cable TV Lineup as outlined on the following pages. A wide variety of channels are included including News, Entertainment, Movies, Music, sports and more. Also included are Showtime/The Movie Channel and Starz!/Encore.

Students can add HBO/Cinemax and our expanded Digital programming tier, or order Pay-Per-View (PPV) events with a Credit Card. Just call **877.RCN.7000 (877.726.7000)**.

How do I navigate the on-screen Cable TV experience?

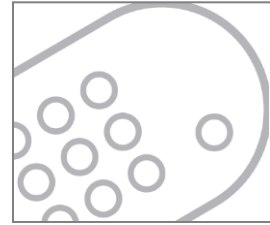
Our On-Screen Guide includes a full channel overview, program schedules, program related information, plus the ability set personal settings and favorites.



What do I do with the Cable Converter Box when I move out my room?

Nothing. Just disconnect your TV from the Converter and leave it in your room for the next student move-in.

III. Cable TV Service Overview continued



7 WHDH 7 (NBC)
 8 RCN TV
 9 WENH (PBS)
 10 WLVI 56 (The CW)
 11 WSBK 38
 12 WBPX 68 (ION)
 13 Local Access
 14 WGBX 44 (PBS)
 15 Local Access
 16 Telemundo
 17 WUNI 27 (Univision)
 18 WZMY 50 (MyTV)
 19 Jewelry Television
 20 WYDN
 21 WMFP
 22 WUTF 66 (Telefutura)
 23 QVC
 24 HSN
 25 MSNBC
 26 ESPN
 27 ESPN2
 28 ESPN News
 29 NBC Sports Net
 30 NESN
 31 Comcast SportsNet
 32 MTV2
 33 CNN
 34 CNN Headline News
 35 NECN
 36 CMT
 37 CNBC Financial News
 38 truTV
 39 The Weather Channel

45 MTV
 46 BET
 47 LMN
 48 WGN Superstation
 49 Nickelodeon
 50 Disney Channel
 51 Cartoon Network
 52 TV Land
 53 SCI FI
 54 Comedy Central
 55 E!
 56 A&E
 57 Discovery Channel
 58 TLC
 59 The History Channel
 60 HGTV
 61 Food Network
 62 Turner Classic Movies
 63 Fox Movie Channel
 64 Animal Planet
 65 Bravo
 66 AMC
 67 Spike TV
 69 Fox News Channel
 70 ABC Family
 71 C-SPAN
 72 Travel Channel
 73 WE
 74 FX

155 Encore Wam
 156 Encore Westerns
 420 Showtime
 421 Showtime Too
 422 Showtime Showcase
 423 Showtime Extreme
 424 Showtime Beyond
 425 The Movie Channel
 426 TMC Xtra East
 427 FLIX
 430 Starz
 431 Starz Kids & Family
 432 Starz Edge
 433 Starz Cinema
 434 Starz In Black
 435 Starz Comedy

All of these channels are available for you to enjoy. Schedule information and channel descriptions are available in the On-Screen Guide.

IV. Residence Care and Support

If you still have questions about your Digital Cable Television service, **or if you would like to add HBO/Cinemax, additional Digital Programming or Pay-Per-View**, or need assistance navigating the On-Screen Guide or even help setting up, please call:

877.RCN.7000

Monday - Friday

8:00A – 8:00P

Saturday and Sunday

8:00A – 6:00P

You must tell the RCN Representative that you are a Student residing in an RCN Bulk served Dormitory of Suffolk University.

